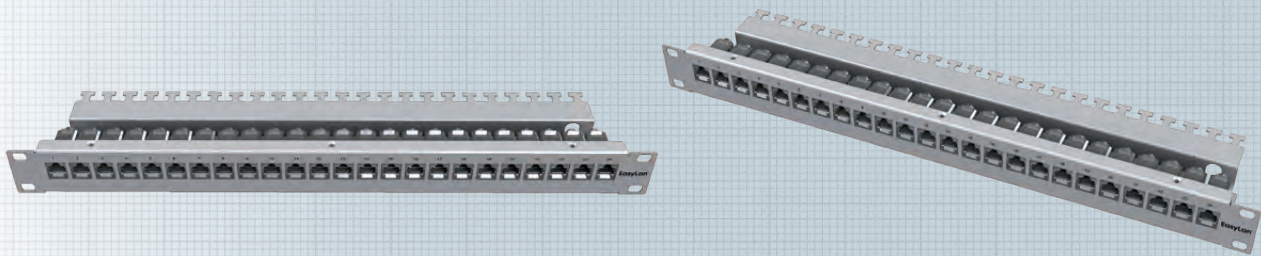


Panel 19" 1U for 24 Keystone modules



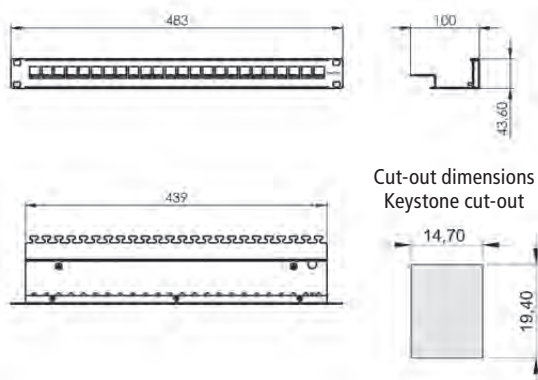
The 19" 1U distribution panel can be loaded with up to 24 preLink® / fixLink® RJ45 Keystone modules. The panel has two levels. This positions the modules flush with the front panel. The distribution panel can be ordered in stainless steel or powder-coated iron sheet.

Mounting material and Keystone modules are not included!

Standards: IEC 60 603-7-1

Properties:

Installation dimension	19" 1U Depth 155 mm
Front-side standard cut-out	24 modules
Back side	cable clamps
Material housing	steel plate, varnished / stainless steel
Cable fastening	via cable ties
Materials	per RoHS 2002/95/EG
Connection class	IP20
Temperature range	-40° C to +70° C
Application	Installation in distribution rack
Packaging unit	1 piece per box



Description

preLink® / fixLink® Panel 19" 1U 24x Keystone RAL7035

Ordering Code

CKVPL0101E