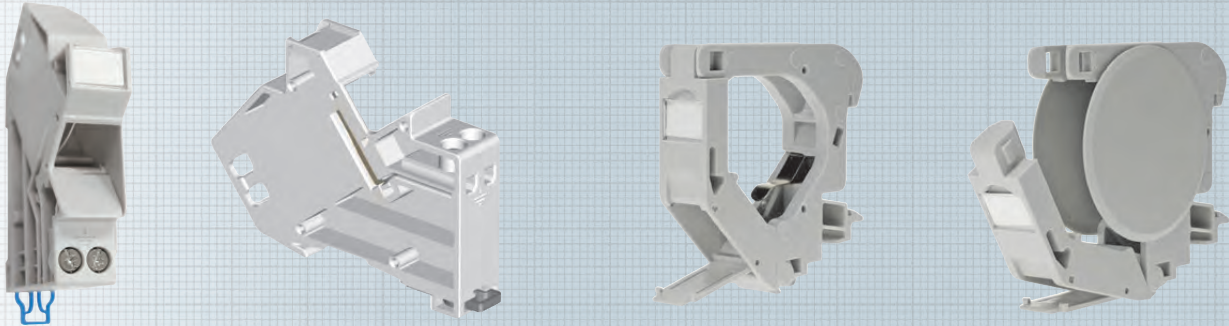


Carrier rail modular housing and adapter set

IN STOCK



Carrier rail modular housing for 1 module

Carrier rail modular housing for preLink®/fixLink®-modules, suitable for distributor cabinets with cover for circuit breakers.

Properties:

Material	plastic
Color	gray, RAL 7035
Dimensions (WxHxD)	18 x 65 x 90 mm (1U installation)
Range of application	ground terminal separate Modular housing of module on carrier rails, suitable for cabinets with cover for circuit breakers
Packaging unit	1 piece per box

Compact carrier rail modular housing for 1 module

Carrier rail modular housing for preLink®/fixLink®-modules, suitable for distributor cabinets without cover for circuit breakers.

Properties:

Material	plastic
Color	gray
Dimensions w/o side panels	18 x 70.5 x 67.5 mm (WxHxD)
Dimensions with side panels	18 x 70.5 x 67.5 mm (WxHxD)
Range of application	(1U installation), ground terminal integrated Modular housing of module on carrier rails, suitable for cabinets without cover for circuit breakers

Carrier rail adapter set

Carrier rail adapter set for installation of preLink®/fixLink® sub-mounted panel for 4-8 modules, for 1U installation.

Properties:

Material	spring plate
Range of application	Adapter clip for distribution panels for mounting on carrier rails
Packaging unit	1 piece per box



Description	Ordering Code
Carrier Rail Modular Housing for one Modul (for distribution cabinets with cover)	CKVHMOD
Compact Carrier Rail Modular Housing for one Modul (ground terminal integrated)	CKVHECOMOD
Carrier Rail Side Panels for Compcat Carrier Rail Modular Housing, PU: 2	CKVHECOSTL
Carrier Rail Adapter Set, for 4-8 modules	CKVHMEK