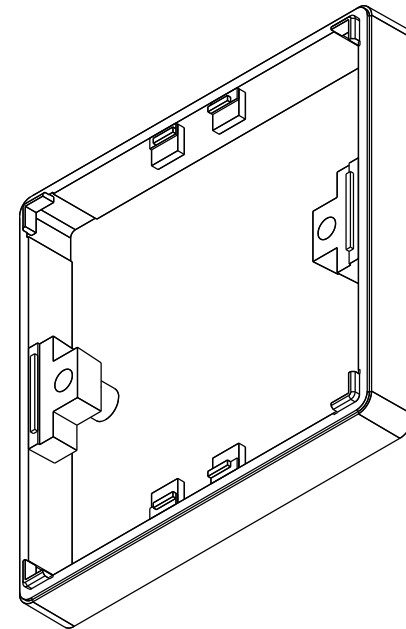
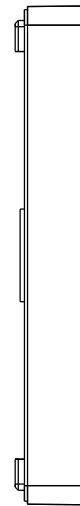
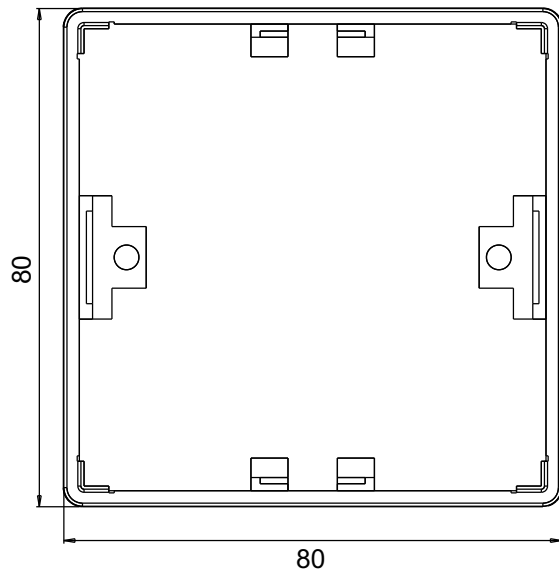
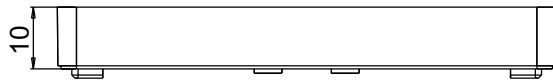



Technical Datasheet

Frame for Surface Mount Housing
Item No. : CKVDDR90



Material: ASA
 Color: white (RAL 9010)

b a	Änderung Sp. Neuerstellung	21.11.2023 04.08.2016	TG MJ	drawn	04.08.2016	MJ
				appr.	04.08.2016	GF
rev. Index				Titel:		
revision code				Frame for Surface Mount Housing 10 mm		
Date				Drawing number:		
Name				ZN-CU161045		
						
				Dimensions: mm		
				Original: DIN A4		
				Sheet 1 of 1		