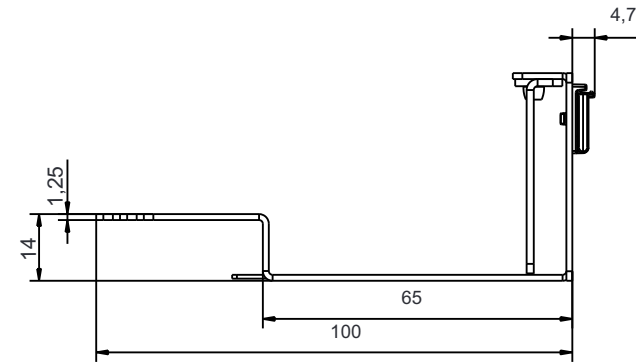
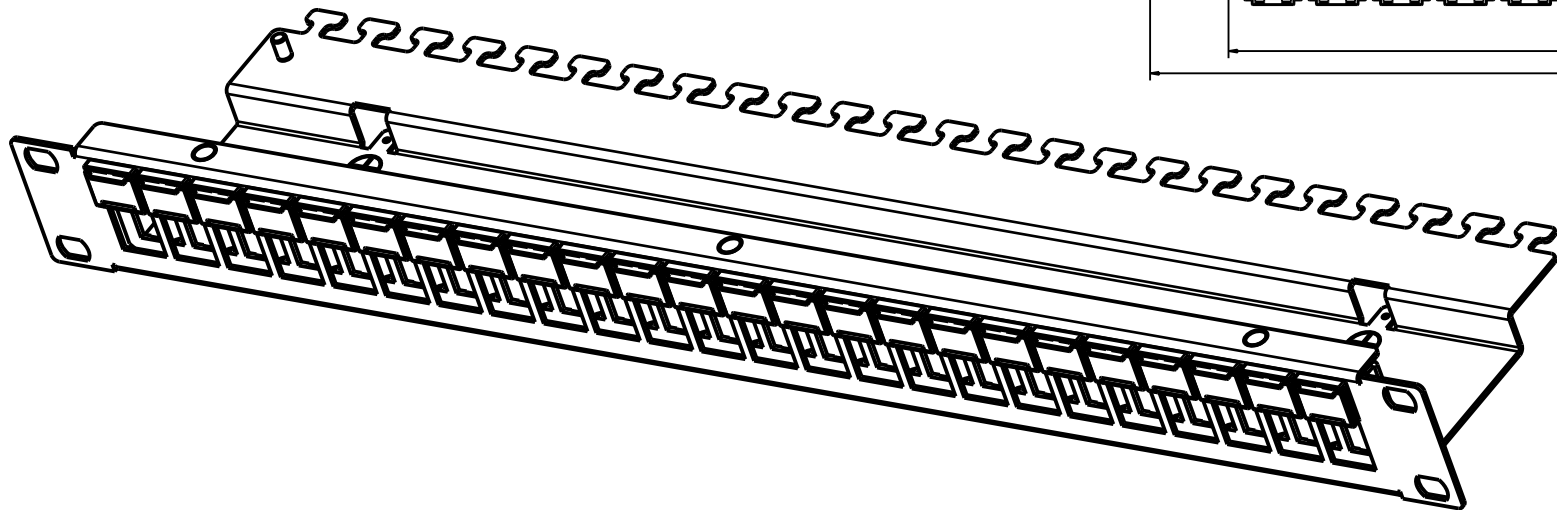
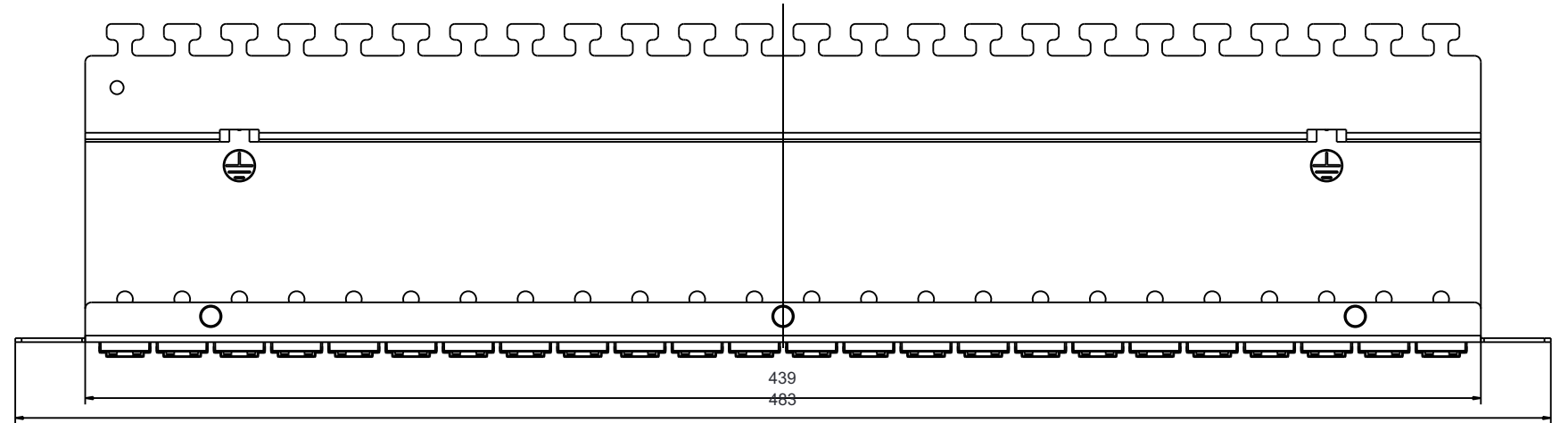
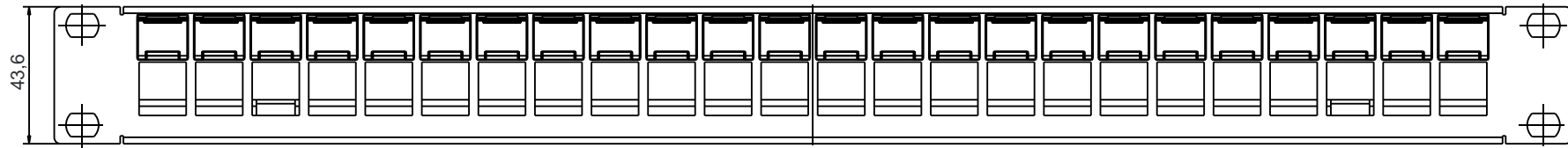


Technical Datasheet

*preLink® / fixLink® 19" Panel including labeling windows
for 24 Keystone Module*

Article No. : CKVPL0B01E (RAL7035) / CKVPL0B02E (RAL 9005)



Material	steel zinc plated
Surface	powder-coated

	drawn	15.05.2017	LP
	appr.	15.05.2017	MJ
Titel:			
EasyLan® preLink® / fixLink® Panel 19" foe 24x Keystone incl. labeling windows			
Drawing Number:			
ZN-BL171059			



Dimensions: mm
Original: DIN A3
Sheet 1 of 1