


Technical Datasheet

EasyLan[®] Data Outlet straight double, 80x80mm



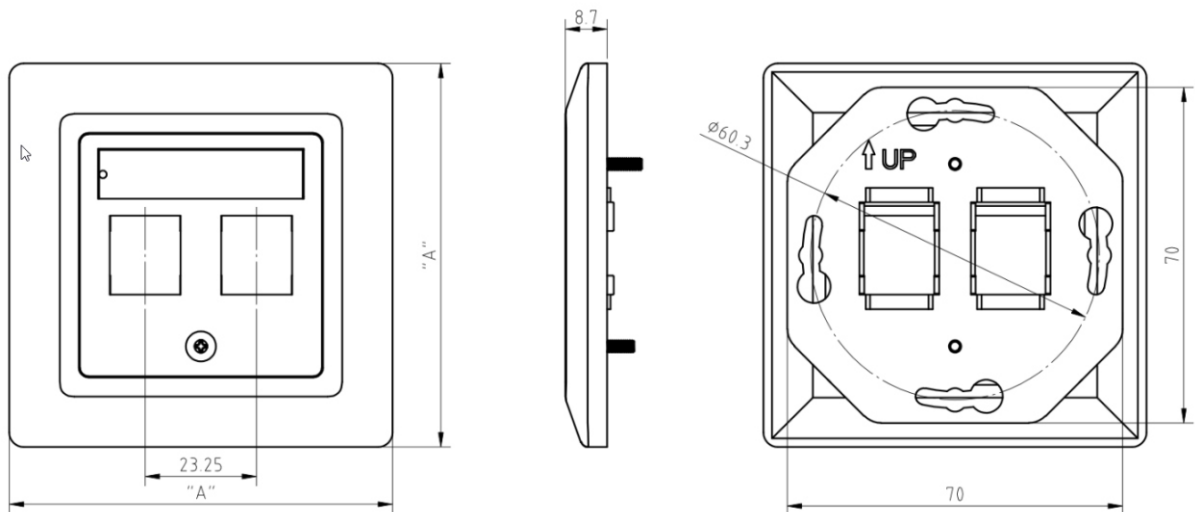
All rights reserved ZVK GmbH D-94244 Teisnach Technologiecampus 2 Germany Phone: +49 9923 804379-0 Fax: +49 9923 804379-50 www.zvk-gmbh.de

				drawn	24.02.2020	LP	 EasyLan[®] ...for a better connectivity
				appr.	24.02.2020	MJ	
b a	Anderung Spr. Neuerstellung	18.12.2023 24.02.2020	TG LP	Titel:			
				EasyLan [®] Data Outlet straight, double 80x80mm			
Rev. Index	Revision code	Date	Name	Drawing Number:			Dimensions: mm
				ZN-DK200056			Original: DIN A4
							Sheet 1 of 2


Technical Data

Materials	
frame	zinc diecast
centralplate	PC white (RAL9010)
Possible Modules (ZVK)	
preLink Keystone Cat.6 _A ISO angeled	Art.No. CKWAS010 / CKWAS020 / CKWAO100
preLink Keystone Cat.6A EIA angeled	Art.No. CKWES010 / CKWES020 / CKWEO100
fixLink Keystone Cat.6 _A ISO	Art.No. CKFAK000 / CKFAKFLO
fixLink SL Keystone Cat.6 _A ISO	Art.No. CKFAK0001 / CKFAKFLO1
preLink SL Keystone Cat.6 _A ISO	Art.No. CKPAS0101 / CKPAS0201 / CKPAO1001
preLink SL Keystone Cat.6A EIA	Art.No. CKPES0101 / CKPES0201 / CKPEO1001
basicLink Keystone Cat.6 / Classe EA	Art.No. CKFEK001

Drawing



All rights reserved ZVK GmbH D-94244 Teisnach Technologiecampus 2 Germany Phone: +49 9923 804379-0 Fax: +49 9923 804379-50 www.zvk-gmbh.de

b a	Anderung Spr. Neuerstellung	18.12.2023 24.02.2020	TG LP	drawn	24.02.2020	LP
				appr.	24.02.2020	MJ
Rev. Index				Revision code		
Date				Name		
TG LP				Titel:		
				EasyLan® Data Outlet straight, double 80x80mm		
				Drawing Number:		
				ZN-DK200056		
						
				Dimensions: mm		
				Original: DIN A4		
				Sheet 2 of 2		