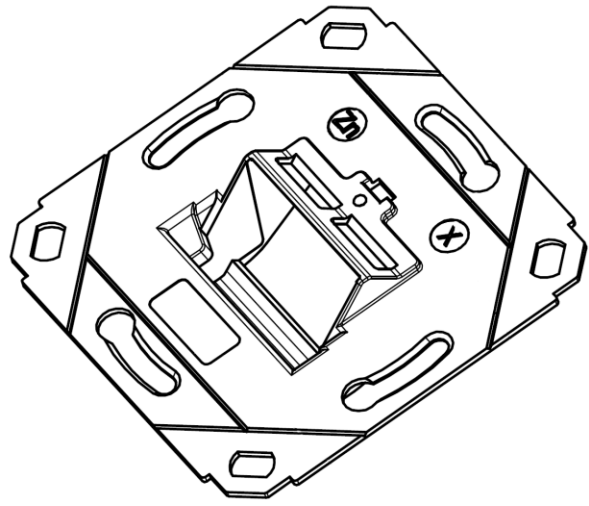



# Technical Datasheet

*designable frame for 1 or 2 Keystones  
w/o central plate*

**Article No. : CKVD1DS**

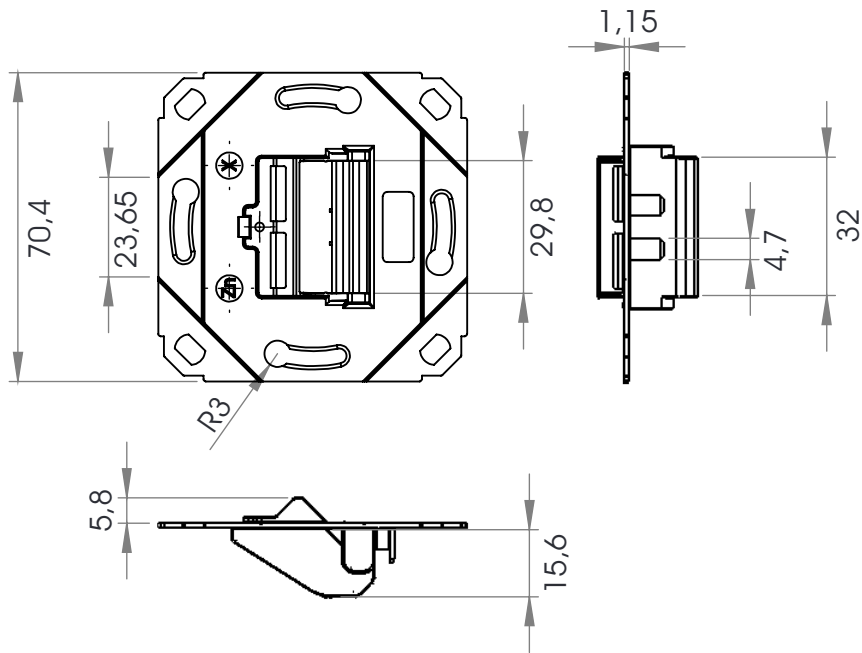


f e d c b a	Anpassung Spr. fixLink gew. Überarbeitung Anpassung Spr. Ergänzung Neuerstellung	15.12.2023 09.12.2020 16.09.2016 21.07.2015 21.01.2015 02.12.2014	TG MJ GF MJ MJ MJ	drawn	21.01.2015	MJ	 <b>EasyLan</b> <sup>®</sup> ...for a better connectivity	
				appr.	16.09.2016	GF		
				Titel: <b>designable frame for 1 or 2 Keystones w/o central plate</b>				Dimensions: mm
				Drawing Number: <b>ZN-BL151005</b>				Original: DIN A4
Rev. Index	Revision code	Date	Name	Sheet 1 of 2				

# Technical Data

<b>Materials</b>	
frame	zinc diecast
screw	M2,5x5 mm / M2,5x8 mm steel
<b>Possible Modules (ZVK)</b>	
preLink® SL Keystone Cat.6 <sub>A</sub> ISO	Art.No. CKPAS011 / CKPAS021
preLink® SL Keystone Cat.6A EIA	Art.No. CKPES011 / CKPES021
preLink® SL Keystone Cat.6 <sub>A</sub> ISO angeled	Art.No. CKWAS011 / CKWAS021
preLink® SL Keystone Cat.6A EIA angeled	Art.No. CKWES011 / CKWES021
fixLink® SL Keystone Cat.6 <sub>A</sub> ISO	Art.No. CKFAK001 / CKFAKFL1
fixLink® SL Keystone Cat.6 <sub>A</sub> ISO angeled	Art.No. CKWAK007 / CKWAKFL7
basicLink® Keystone Class EA	Art.No. CKFEK001
<b>Possible Central Plates</b>	
All UAE-covers from the typical switch range manufacturer UAE-covers inclusive part numbers of the manufacturer are proved, you can find seperately as an product information.	

## Drawing



All rights reserved ZVK GmbH D-94244 Teisnach Technologiecampus 2 Germany Phone: +49 9923 804379-0 Fax: +49 9923 804379-50 www.zvk-gmbh.de all data without guarantee

f e d c b a	Anpassung Spr. fixLink gew. Überarbeitung Anpassung Spr. Ergänzung Neuerstellung	15.12.2023 09.12.2020 16.09.2016 21.07.2015 21.01.2015 02.12.2014	TG MJ GF MJ MJ MJ	drawn	21.01.2015	MJ
				appr.	16.09.2016	GF
				Titel: designable frame for 1 or 2 Keystones w/o central plate		
				Drawing Number: <b>ZN-BL151005</b>		



Dimensions: mm

Original: DIN A4

Sheet 2 of 2